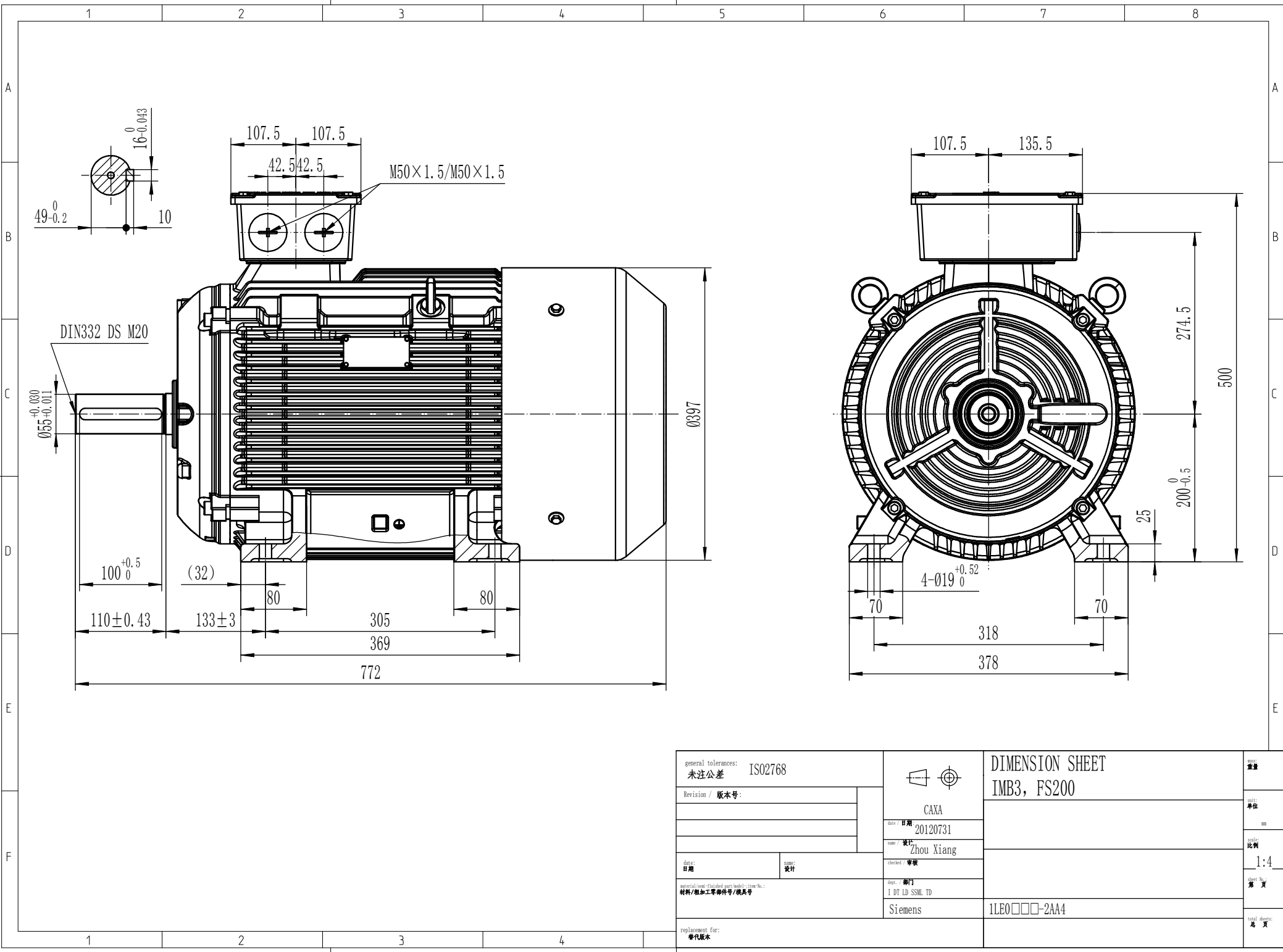
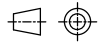


СЕРТИФИЦИРОВАННОЕ КОМПЬЮТЕРНОЕ МОДЕЛИРОВАНИЕ  
 КОМПЬЮТЕРНОЕ МОДЕЛИРОВАНИЕ  
 КОМПЬЮТЕРНОЕ МОДЕЛИРОВАНИЕ

The reproduction, transmission or use of this document or its contents for any purpose other than that for which it was created without the written permission of Siemens AG is prohibited. All rights including rights created by patent or registration of a utility model or design, are reserved.



general tolerances: 未注公差	ISO2768	 CAXA	DIMENSION SHEET	重量
Revision / 版本号:				IMB3, FS200
date / 日期:	20120731	designer / 设计:		mm
checked / 审核:	Zhou Xiang	dept. / 部门:		比例
material / 材料 / 加工零件号 / 模具号:	I DT LD SSM TD	Siemens	1LE0□□□-2AA4	1:4
replacement for / 替代版本:				第 页
				总 页

SIEMENS-13-200828