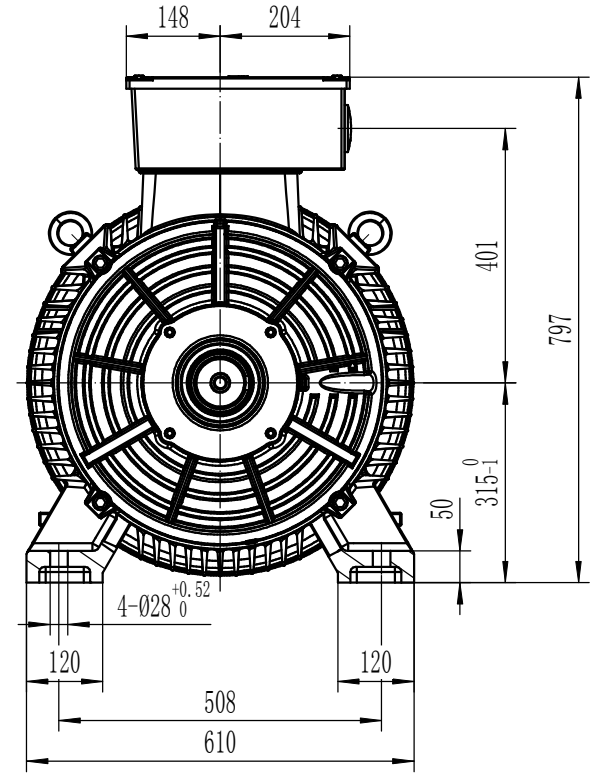
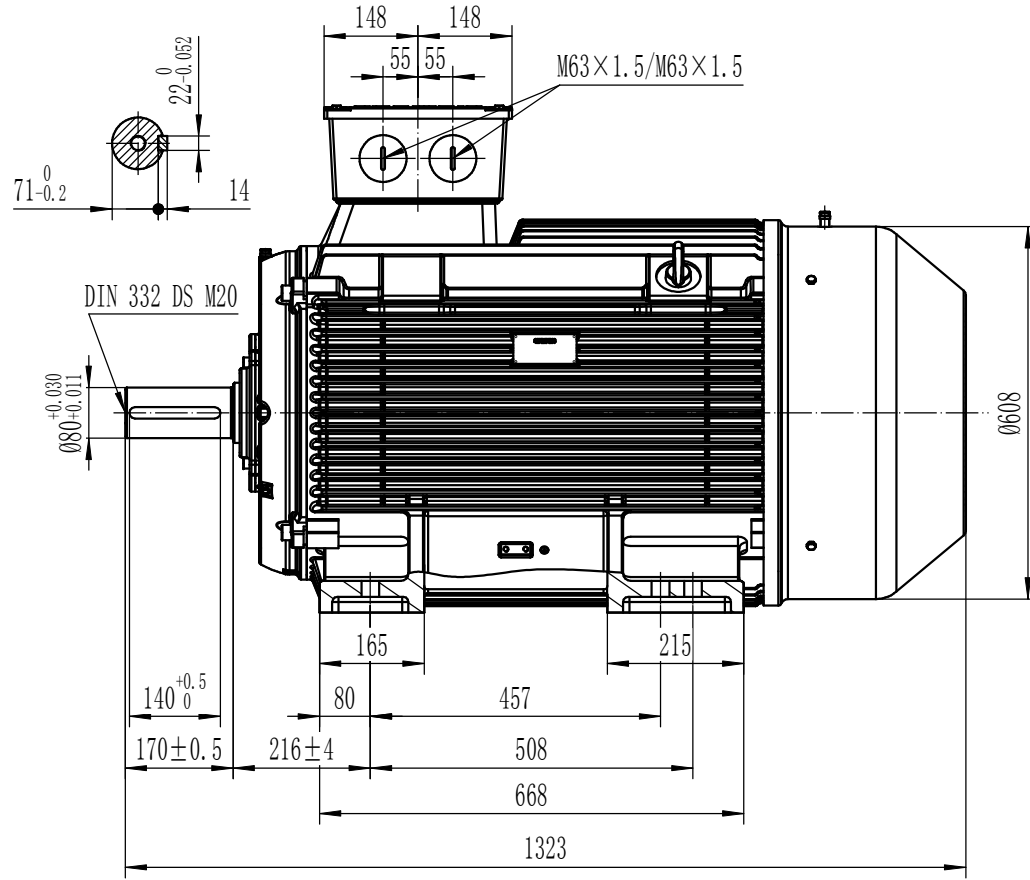


本图档为西门子公司所有，未经许可，不得复制或传播。所有权利保留。

The reproduction, transmission or use of this document or its content for any purpose other than the original intended use without the express written permission of Siemens will be liable for damages. All rights including rights created by patent or registration of a utility model or design, are reserved.



general tolerances: 未注公差 ISO2768		CAXA	DIMENSION SHEET IMB3, FS315		重量
Revision / 版本号:			date / 日期: 20120801		单位
		name / 设计: Zhou Xiang		mm	
		checked / 审核:		比例	
		dept. / 部门: I DT LD SSML TD		1:7	
date / 日期:		material / 材料 / 加工零件号 / 模具号: I DT LD SSML TD		第 页	
		Siemens		共 页	
replacement for: 替代版本:		ILE0□□□-3AB7		total sheets:	
				总 页	