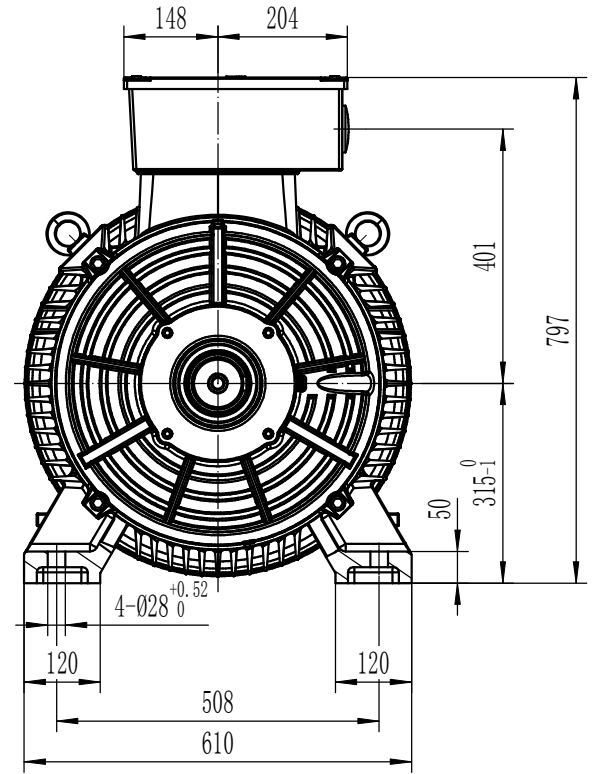
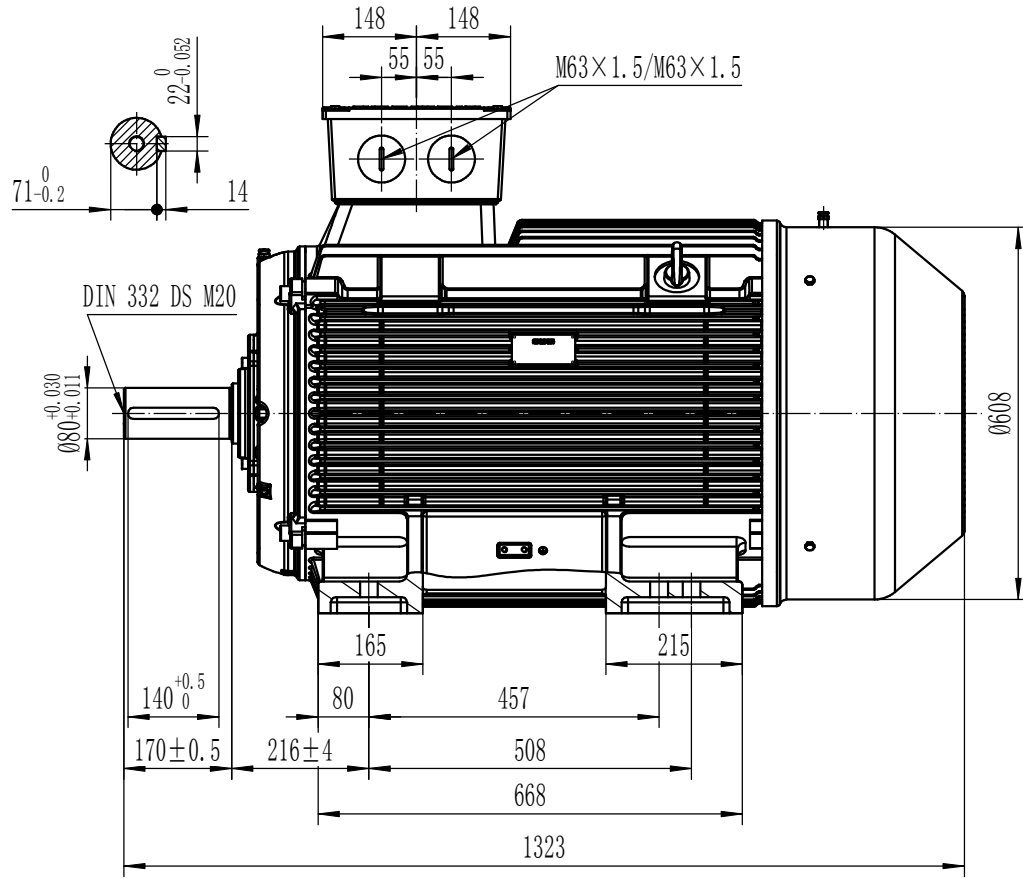
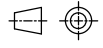


SIEMENS 产品、技术、服务、品牌、名称、商标、商号、专利、著作权、商业秘密、知识产权、其他合法权益，均受法律保护。未经许可，不得擅自使用、复制或传播。违者将依法追究法律责任。

The reproduction, transmission or use of this document or its content for any purpose other than that for which it was created and/or issued, without the prior written permission of Siemens, will be liable for damages. All rights including rights created by patent or registration of a utility model or design, are reserved.



general tolerances: 未注公差 ISO2768		 CAXA	DIMENSION SHEET IMB3, FS315		重量
Revision / 版本号:					单位
				mm	
		date / 日期 20120801		比例	
		name / 设计 Zhou Xiang		1:7	
date / 日期		checked / 审核		第 页	
material / 材料 / 加工零件号 / 模具号		dept. / 部门 I DT LD SSML TD		总 页	
replacement for: 替代版本		Siemens		1LE0□□□-3AB5	