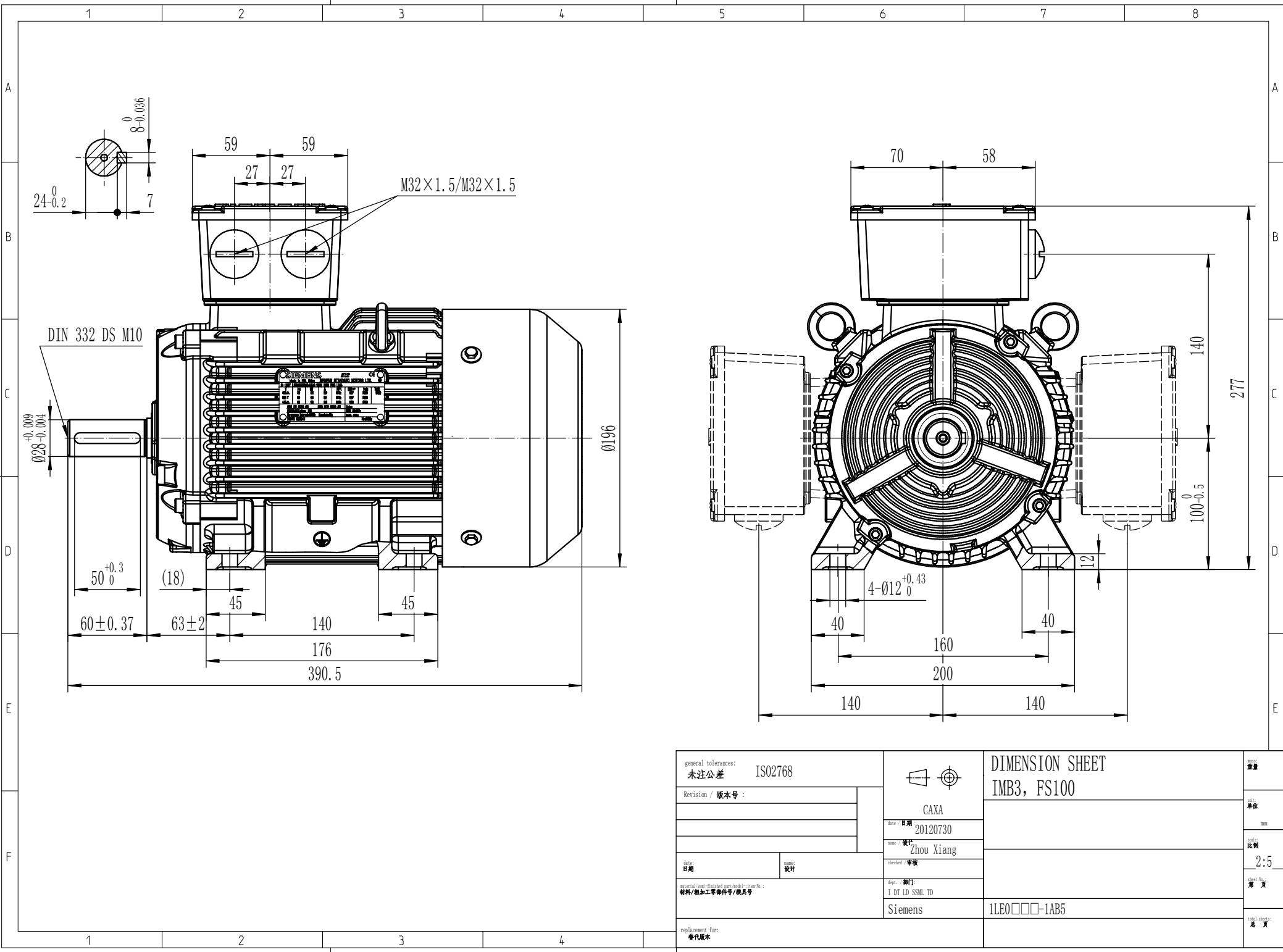
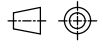


СЕРТИФИКАЦИОННО-ТЕСТОВОЕ АГЕНТСТВО НАЦИОНАЛЬНЫЙ ЦЕНТР НАУКИ И ТЕХНОЛОГИЙ

The reproduction, transmission or use of this document or its contents for any purpose other than that specified hereon without the written permission of the copyright holder is prohibited. All rights including patent or registration of a utility model or design, are reserved.



general tolerances: 未注公差 ISO2768		 CAXA date 日期 20120730 name 设计 Zhou Xiang checked 审核 dept. 部门 I DT LD SSML TD Siemens	DIMENSION SHEET IMB3, FS100		重量
Revision / 版本号 :					单位
					mm
					比例
date 日期 material/drawn (finished part model): item No.: 材料/加工零部件号/模具号				2:5	
				张数	
				总页	
replacement for: 替代版本		1LE0□□□-1AB5			